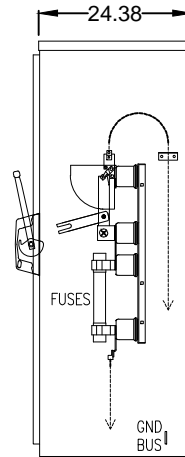
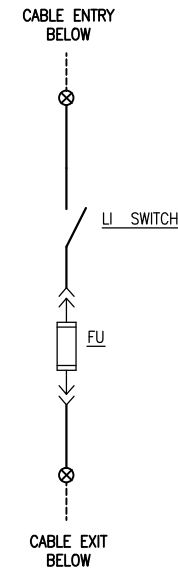


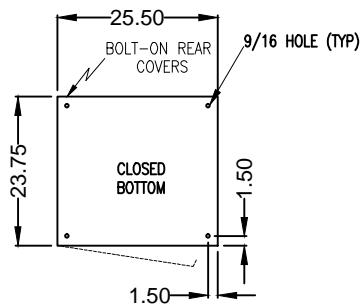
**FRONT ELEVATION**



**SECTION VIEW A-A**



**ONE LINE**



**PLAN VIEW**

REV.	DESCRIPTION	BY	DATE
-	-	-	-

- GENERAL NOTES:**
1. - INTERRUPTER SWITCHGEAR TO BE METAL ENCLOSED 3KV, 3PH, 3W, 60HZ, 60KV BIL. BRACED FOR 20KA.
  2. - INDOOR/OUTDOOR ENCLOSURE TYPE NEMA 1/3R, FABRICATED FROM 10GA STEEL PER ANSI/IEEE C37.20.3
  3. - FINISH ANSI-61 GRAY.
  4. - SWITCH ASSEMBLY UL LISTED.

**MCM** ENGINEERING II, INC.  
 866 East 4890 North  
 Provo, UT 84701  
 (435)865-0125 Fax:(435)865-0126  
 E-mail: info@mcmeng2.com

LOAD INTERRUPTER SWITCH  
 ELEVATION, SECTION VIEW & SINGLE LINE

SOLD TO		CONTRACTOR	
DRAWN BY: <i>LFK</i>	DATE: 2-9-11	CHECKED BY: <i>LFK</i>	DATE: 2-9-11
DWG. <b>STD-MRLI</b>			SHEET 1 OF 1